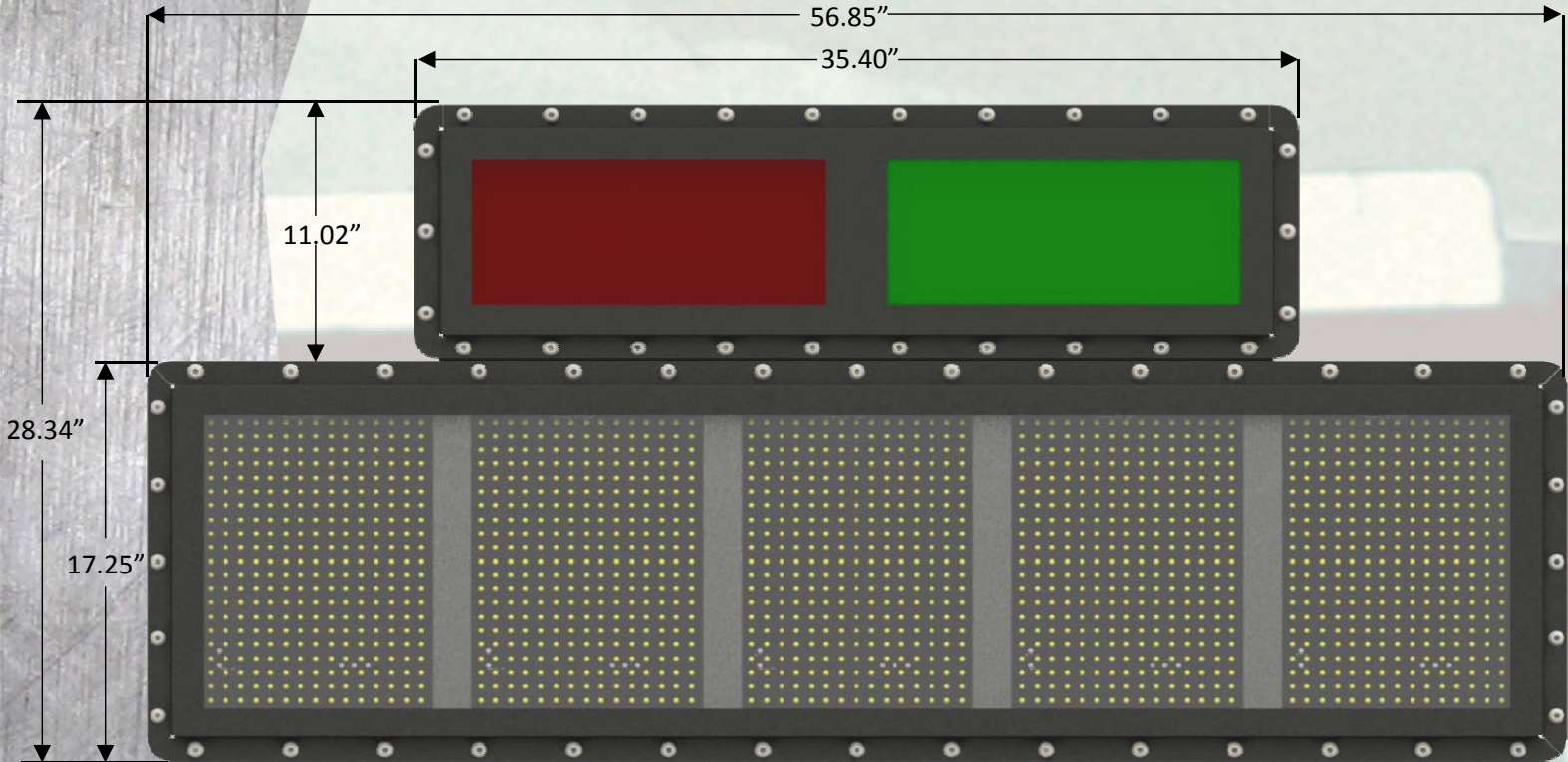


# VID-5C12T-ARG

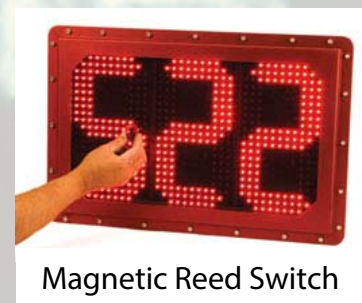
**Day and Night visible LED Identification Display**

## 5 CHARACTER LED IDENTIFICATION DISPLAY WITH TRAFFIC ALERT



### Rugged and Real-World Tested

- Reverse polarity protected
- Integrated Photo Cell Sensor for Day and Night visibility. Automatically dims for night use & avoiding glare. Brightens for daytime use
- Magnetic Reed Switch Programmable Technology
- Locking technology and do not need reprogramming upon shut down and startup.
- Solid State LEDs, withstand shock & vibration
- Light weight and easy to install
- Impact resistance & withstands power hose cleaning
- Built to withstand extreme vibration and environment
- Rated IP66 & IP67
- Visible up to 500 feet
- Available in 12-24 V DC, 110V AC and 220V AC upon request.



#### ADDRESS:

2115 W. Mountain View Rd.  
Phoenix, AZ 85021 USA

2677 - 192 St. #107  
Surrey, BC V3S 3X1 CA

**USA**

**T: 602.424.2500**

**F: 602.424.9777**

**E: Sales@SafetyWhips.com**

**CA**

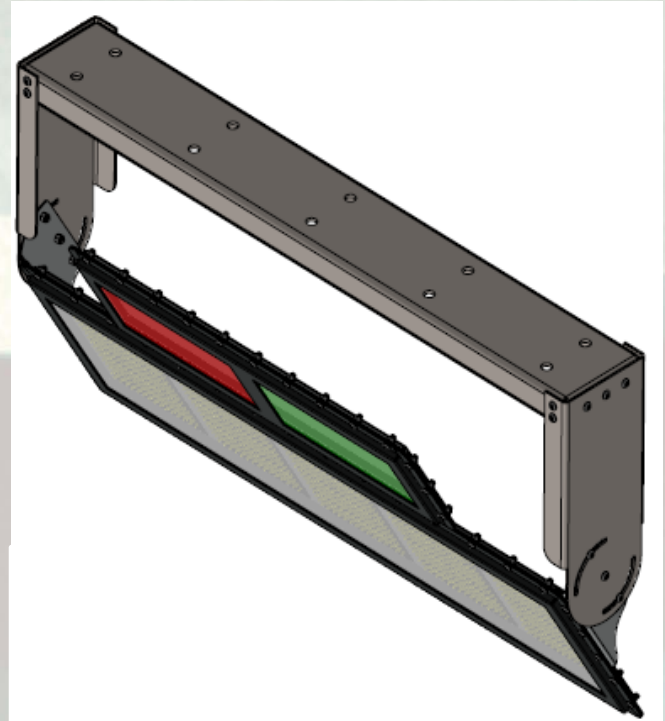
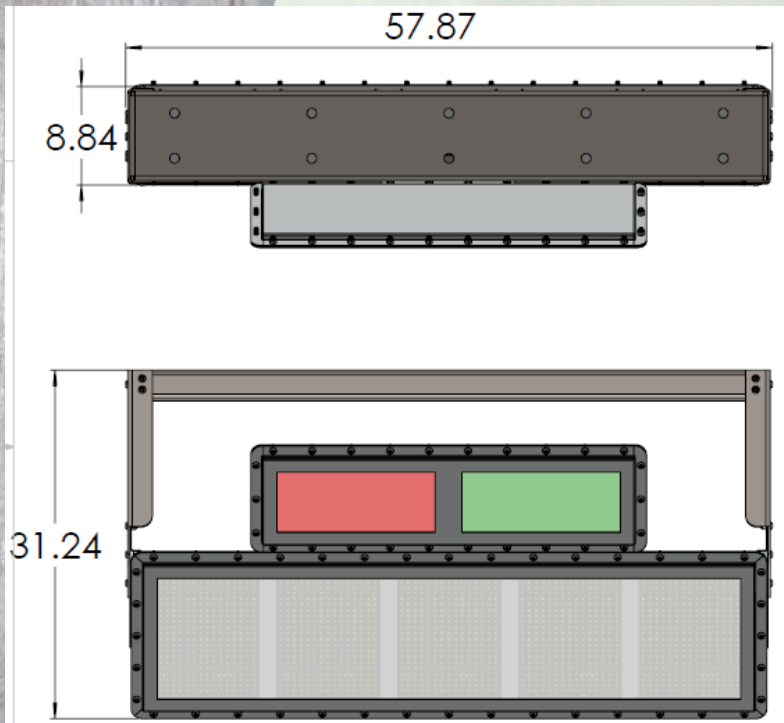
**T: 604.560.5080**

**F: 604.560.5090**

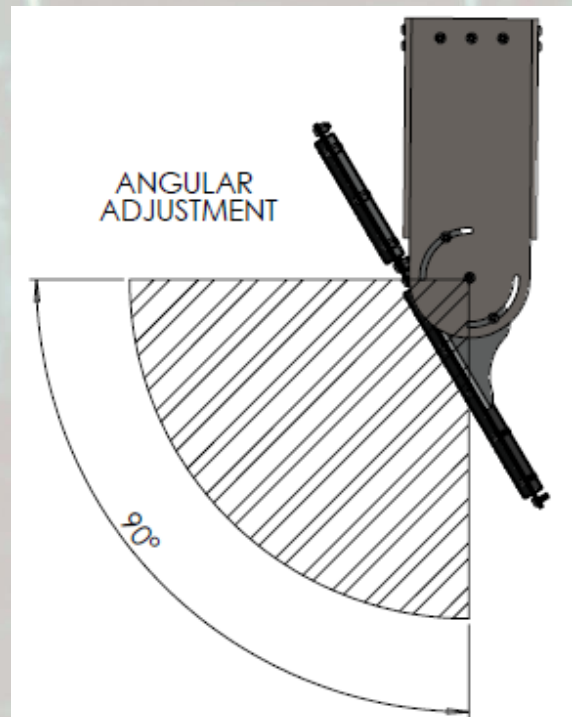
**E: Lugo@SafetyWhips.com**

# VID-5C12T-ARG

## Day and Night visible LED Identification Display



- Ceiling, Floor or Wall mount option
- Custom design for full 90° visibility
- Hardware is included and Easy to install
- Mounting method will vary by Display type



**ADDRESS:**

2115 W. Mountain View Rd.  
Phoenix, AZ 85021 USA

2677 - 192 St. #107  
Surrey, BC V3S 3X1 CA

**USA**

**T: 602.424.2500**

**F: 602.424.9777**

**E: Sales@SafetyWhips.com**

**CA**

**T: 604.560.5080**

**F: 604.560.5090**

**E: Lugo@SafetyWhips.com**